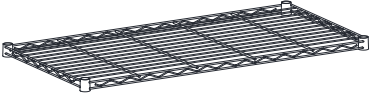
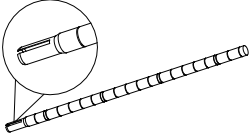
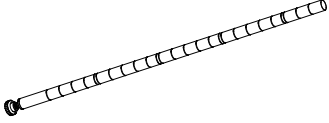

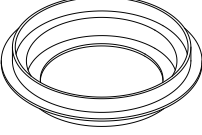


Installation Instruction

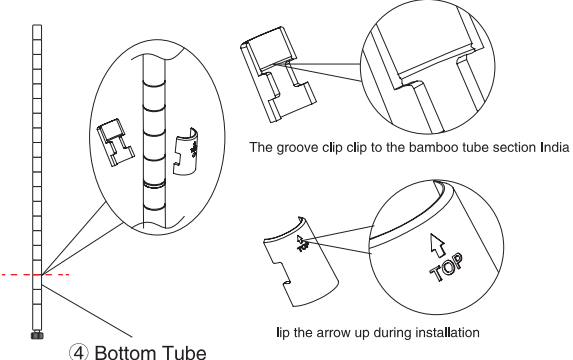
Carbon Steel 4-shelf rack

Accessories List ● Check all the accessories first before installation

<p>① Shelf 4pcs</p> 	<p>② Top Tube 4pcs</p> 	<p>③ Bottom Tube 4pcs</p> 	
<p>④ Clamping piece 34pcs</p>  <p style="font-size: small;">Include 2 PCS for standby application</p>	 <p style="color: red; font-size: small;">This part is only for protection when delivery only, don't need it when installation.</p>		

Installation process

① Put clamping pieces onto the marking groove location.

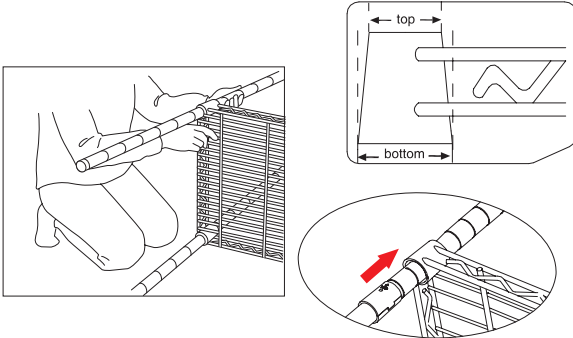


The groove clip clip to the bamboo tube section India

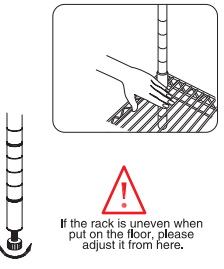
lip the arrow up during installation

④ Bottom Tube

② Stack the cone tube's bottom of shelf into tubes which it is with clamping pieces to finish shelf installation.

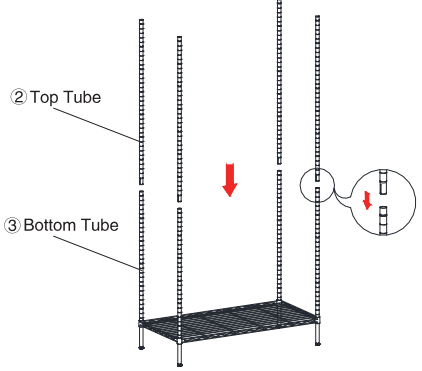


③ Use a hammer knock on shelf corners softly and make sure the shelf clamp tightly to clamp pieces, if the rack is uneven when put on the floor, please adjust the bottom adjustable pin to make sure it is flat.

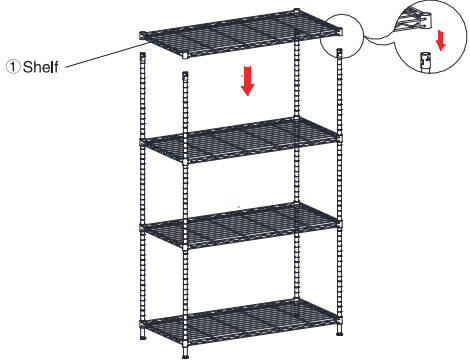


If the rack is uneven when put on the floor, please adjust it from here.

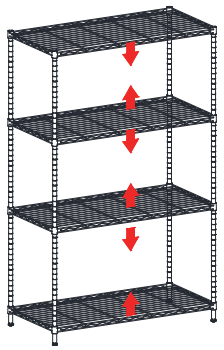
④ Install top tubes accordingly.



⑤ Install all the shelves according to step 3



⑥ Finished.



Installation Notes:
Total is 8 PCS of Tube for this product, customer can adjust each shelf's installation location according to tube grooves freely.