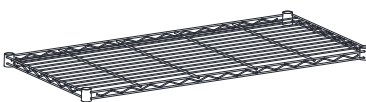
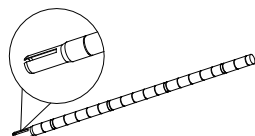
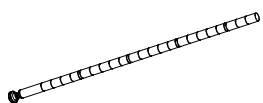

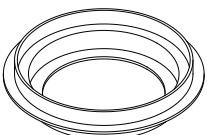


Installation Instruction

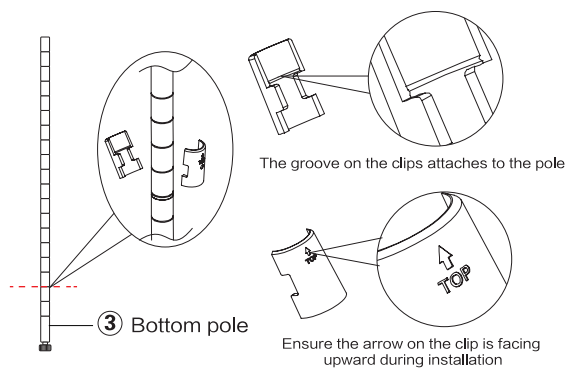
5 Tier Wire Shelving

Accessories List ● Check all the accessories first before installation

① Shelf 5pcs 	② Top pole 4pcs 	③ Bottom pole 4pcs 	
④ Plastic Clip 42pcs  Include 2 PCS for standby application	 This part is only for protection when delivery only, don't need it when installation.		

Installation process

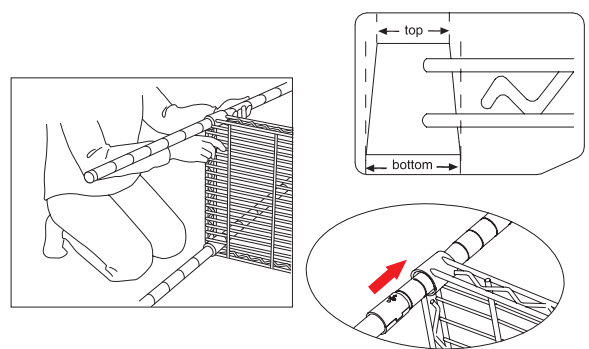
① Place the clips onto the marked groove locations.



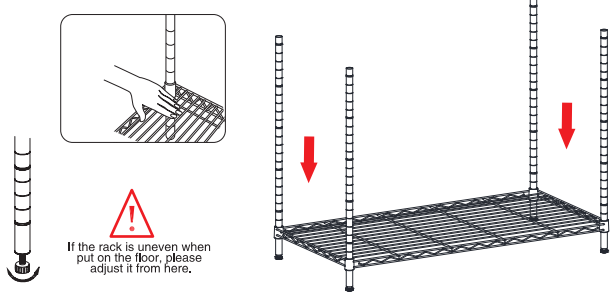
The groove on the clips attaches to the pole

Ensure the arrow on the clip is facing upward during installation

② Place the bottom shelf onto the poles.

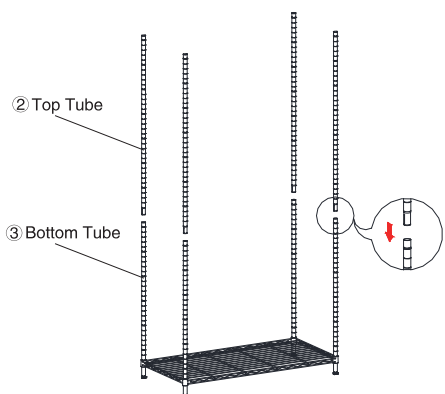


③ Push the bottom shelf down onto the plastic clips until the shelf fits tight (Tap lightly with a rubber mallet if necessary) .

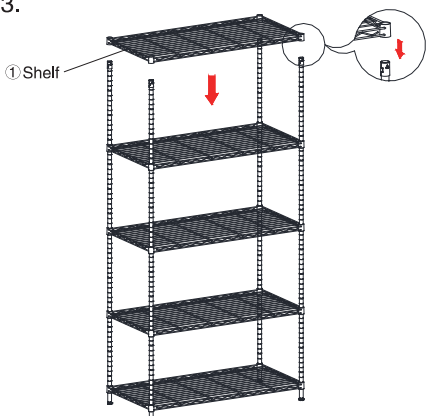


! If the rack is uneven when put on the floor, please adjust it from here.

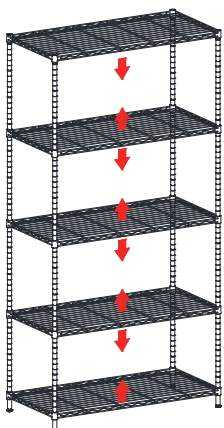
④ Place the top poles into the bottom poles.



⑤ Place the remaining shelves onto the poles according to step 3.



⑥ Finished.



Installation Notes:
Total is 8 PCS of Tube for this product, customer can adjust each shelf's installation location according to tube grooves freely.