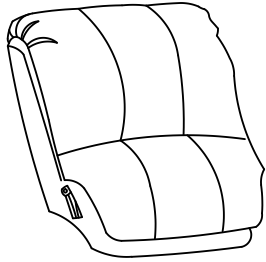
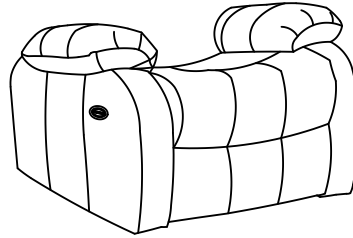


ASSEMBLY INSTRUCTION

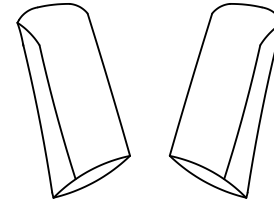
Ax1



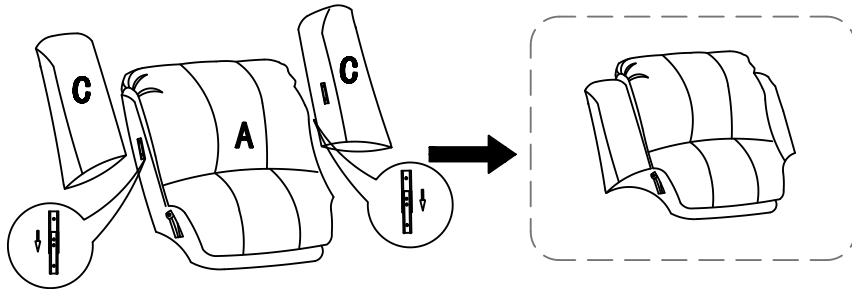
Bx1



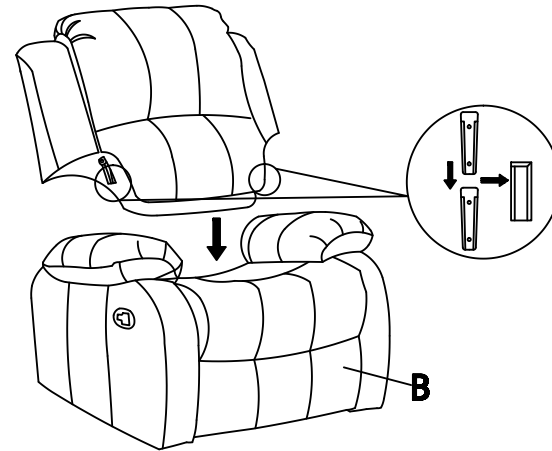
Cx2



STEP: 1



STEP: 2



WHEN ASSEMBLED

